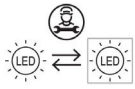


# Hurdal SensorDim

220-240V~, 50/60Hz

2: Replaceable (LED only) light source by a professional



3: Replaceable control gear by a professional



**NO:** Kan kun installeres og vedlikeholdes av en registrert installasjonsvirksomhet.

**DK:** Må kun installeres og vedligeholdes af uddannet elektriker.

**SE:** Skall installeras och underhållas av behörig elektriker.

**EN:** Only to be installed and maintained by an authorized electrician.

**FR:** Doit être installé et maintenu par un électricien qualifié.

**NL:** Mag alleen geïnstalleerd en onderhouden worden door een bevoegde electricien.

**DE:** Dieses Produkt darf nur durch autorisiertes Personal (z.B. Elektro-Installateur) angeschlossen, in Betrieb genommen und gewartet werden.

**FI:** Asentaa ja huoltaa saa vain valtuutettu sähköasentaja

**NO:** Skru av strømmen før montering.

**DK:** Sluk for strømmen inden montering.

**SE:** Stäng av strømmen innan montering.

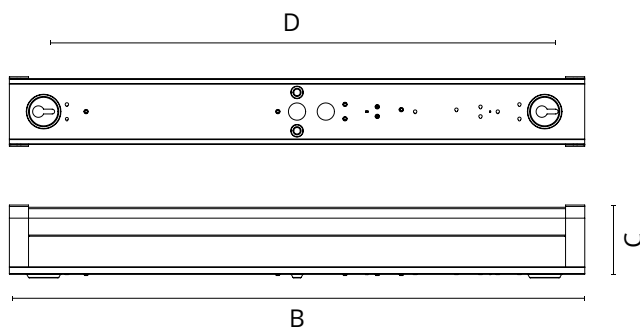
**EN:** Turn off power before installing.

**FR:** Couper le courant avant l'installation.

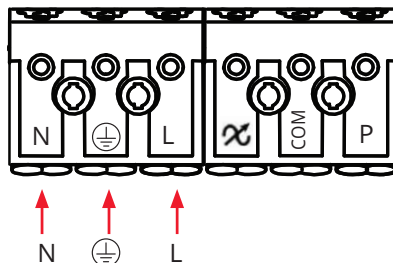
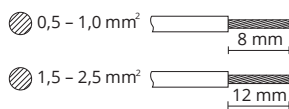
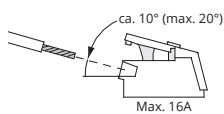
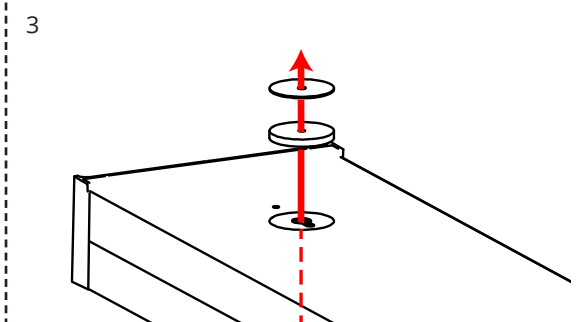
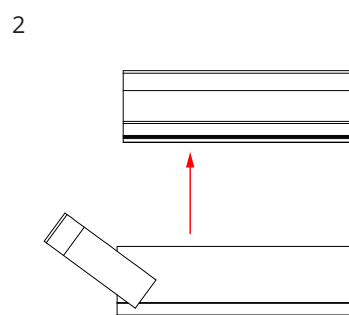
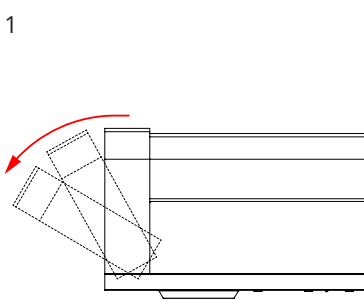
**NL:** Stroom uitschakelen voor u het toestel installeert.

**DE:** Vor Installationsarbeiten den Strom abschalten.

**FI:** Sammuta virta ennen kytkemistä



Hurdal	A	B	C	D
600	72mm	600mm	76mm	525mm
1200	72mm	1200mm	76mm	1100mm
1500	72mm	1500mm	76mm	1400mm



**NORWAY**  
SG Armaturen AS

Skytterheia 25  
N-4790 Lillesand

Tel: +47 37 50 03 00  
firmapost@sg-as.no  
www.sg-as.no

**SWEDEN**

SG Armaturen AB  
Tel: +46 31 81 71 10  
info@sg-ab.se  
www.sg-ab.se

**FINLAND**

SG Armaturen Oy  
Tel: +358 02 07 30 39 60  
info@sg-oy.fi  
www.sg-oy.fi

**DENMARK**

SG Armaturen A/S  
Tel: +45 70 70 72 13  
info@sg-as.dk  
www.sg-as.dk

**UNITED KINGDOM**

SG Lighting LTD  
Tel: +47 37 50 03 00  
info@sglighting.co.uk  
www.sglighting.co.uk

**FRANCE**

SG Lighting SA/NV  
Tel: +33(0) 4 94 93 00 00  
info.france@sglighting.fr  
www.sglighting.net

**BENELUX**

SG Lighting SA/NV  
Tel: +32(0) 15 20 72 71  
info.benelux@sglighting.net  
www.sglighting.net

**GERMANY**

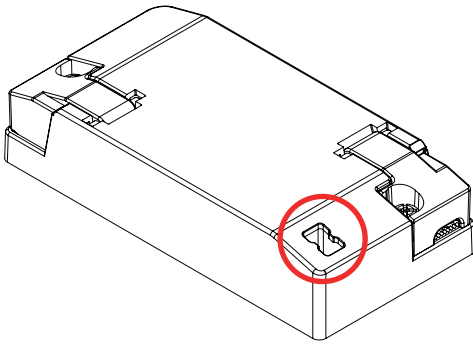
SG Leuchten GmbH  
Tel: +49 40 23 99 44 59  
info@sg-leuchten.de  
www.sg-leuchten.de

**INTERNATIONAL**

SG Lighting Co Ltd.  
Tel: +86 769 88 49 20 88  
cindy@sgdgc.com  
www.sg-as.com

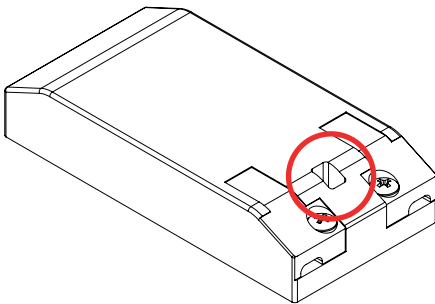
## Dipswitch settings

### Hurdal 600



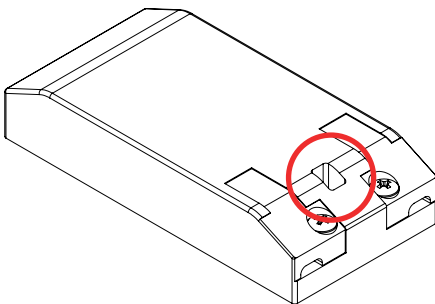
			<b>Standard</b> 			
<b>mA</b>	200	250	<b>300</b>	350	400	450
<b>lm</b>	67%	83%	<b>100%</b>	117	-	-
				UGR>25		

### Hurdal 1200



<b>mA</b>	500	550	<b>600</b>	650	700	750	800	850
<b>lm</b>	76%	83%	<b>100%</b>	108%	117%	-	-	-
				UGR>25				

### Hurdal 1500



<b>mA</b>	500	550	600	650	700	750	<b>800</b>	850
<b>lm</b>	63%	69%	75%	81%	88%	94%	<b>100%</b>	-

**Standard**

# Sensor Dim Motion

**No Com**

**With Com**

**Master/Master**

**Push**

NO: Impulsbryter (valgfritt)  
 DK: Impulsafbrydere (valgfritt)  
 SE: Impulsbrytare (valgfritt)  
 EN: Push button (optional)  
 FR: Bouton-poussoir (optionnel)  
 NL: Drukknop (optioneel)  
 DE: Druckknopf (optional)  
 FI: Painonappi (valinnainen)

ON/Extend Hold Time

Hold time	10 minutes	1	1
	5 minutes	0	1
	1 minute	1	0
	5 seconds	0	0

Motion sensitivity	High	1	1
	Medium	0	1
	Low	1	0
	Off	0	0

Daylight sensitivity	Low	<del>1</del>	<del>1</del>
	Medium	<del>0</del>	<del>0</del>
	High	<del>1</del>	<del>0</del>
	Off	0	0

Midnight cut	On	<del>1</del>
	Off	0

Basic light	On	1
	Off	0

**NORWAY**  
SG Armaturen AS

Skytterheia 25  
N-4790 Lillesand

Tel: +47 37 50 03 00  
firmapost@sg-as.no  
www.sg-as.no

**SWEDEN**  
SG Armaturen AB  
Tel: +46 31 81 71 10  
info@sg-ab.se  
www.sg-ab.se

**FINLAND**  
SG Armaturen Oy  
Tel: +358 02 07 30 39 60  
info@sg-oy.fi  
www.sg-oy.fi

**DENMARK**  
SG Armaturen A/S  
Tel: +45 70 70 72 13  
info@sg-as.dk  
www.sg-as.dk

**UNITED KINGDOM**  
SG Lighting LTD  
Tel: +47 37 50 03 00  
info@sglighting.co.uk  
www.sglighting.co.uk

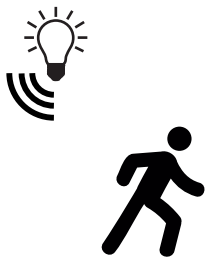
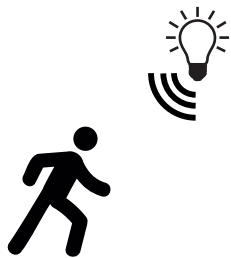
**FRANCE**  
SG Lighting SA/NV  
Tel: +33(0) 4 94 93 00 00  
info.france@sglighting.fr  
www.sglighting.net

**BENELUX**  
SG Lighting SA/NV  
Tel: +32(0) 15 20 72 71  
info.benelux@sglighting.net  
www.sglighting.net

**GERMANY**  
SG Leuchten GmbH  
Tel: +49 40 23 99 44 59  
info@sg-leuchten.de  
www.sg-leuchten.de

**INTERNATIONAL**  
SG Lighting Co Ltd.  
Tel: +86 769 88 49 20 88  
cindy@sgdgc.com  
www.sg-as.com

### Hold time

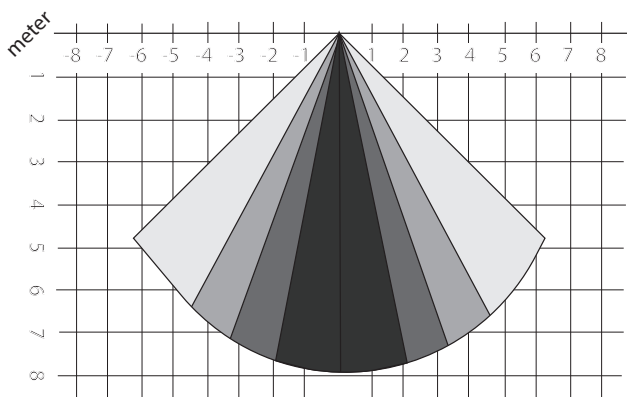


	1	2
10 min	1	1
5 min	0	1
1 min	1	0
5 sec	0	0



### Motion sensitivity

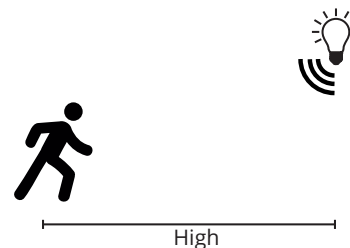
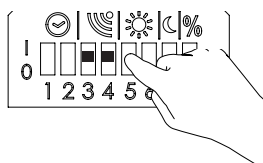
<b>Sensitivity</b>	3	4
High	1	1
Medium	0	1
Low	1	0
Off	0	0



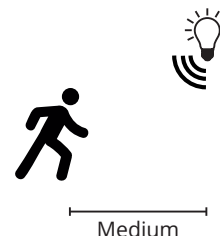
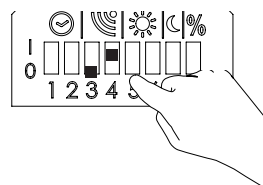
High sensitivity
  Medium- sensitivity

Medium+ sensitivity
  Low sensitivity

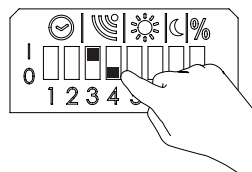
1



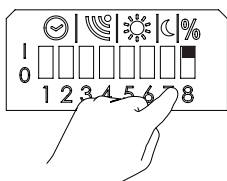
2



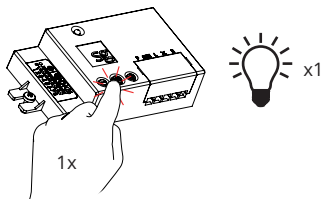
3



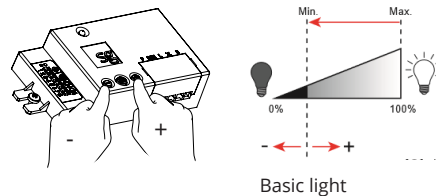
### Light levels - Basic light and max light



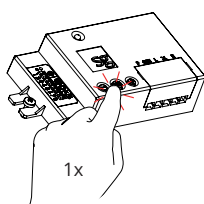
1



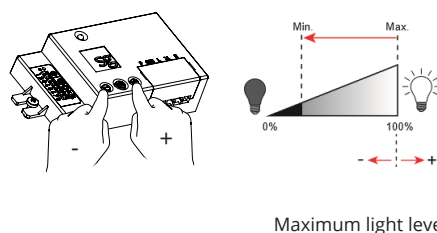
2



3



4



5

